

Eccentric Bushes



Eccentric Bushes are manufactured from two metal sleeves which are eccentrically offset in the radial direction. This offset allows for a larger proportion of the rubber section to be orientated in the normal direction of load, allowing for relatively large radial deflections to be achieved, whilst maintaining excellent motional control characteristics.

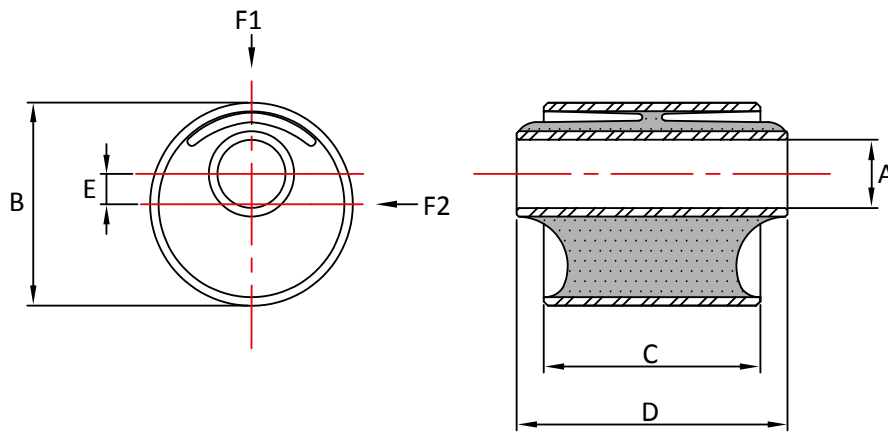
Eccentric bushes are robust in design, fail-safe, and suitable for ROPS and FOPS cabs (subject to approval).

Advantages:

- Excellent Vibration Reduction
- Robust Design – Ideal for Transit Shock
- ROPS & FOPS
- Fail Safe

Applications:

- Cab Mountings (Tilting Cabs)
- Engine Mountings
- Earth Moving Vehicles
- Agricultural Vehicles



Part No	A	B	C	D	E	F1			F2
						Stiffness (N/mm)	Max Deflection (mm)	Max Load (kg)	Stiffness (N/mm)
ECC1270-45	16	47.6	50.8	63.5	7.1	675	2	140	1350
ECC1270-60	16	47.6	50.8	63.5	7.1	1040	2	215	2080
ECC1270-75	16	47.6	50.8	63.5	7.1	1200	2	245	2400
ECC2174-45	24	75.3	51.0	70	10.5	750	3.5	270	600
ECC2174-60	24	75.3	51.0	70	10.5	1200	3.5	325	910
ECC2174-75	24	75.3	51.0	70	10.5	1760	3.5	630	1400
ECC1165-45	25.4	88.9	66.7	79.4	14.3	475	3.8	185	640
ECC1165-60	25.4	88.9	66.7	79.4	14.3	900	3.8	350	990
ECC1355-45	43.7	101.6	63.5	72.4	9.5	682	3.5	245	1150
ECC1355-60	43.7	101.6	63.5	72.4	9.5	1300	3.5	465	2200

Max compression load in Kg deflection in mm.

This information is for guidance only. Customers are recommended to contact us for further technical information on products and applications. We reserve the right to alter specifications or withdraw products without notice.