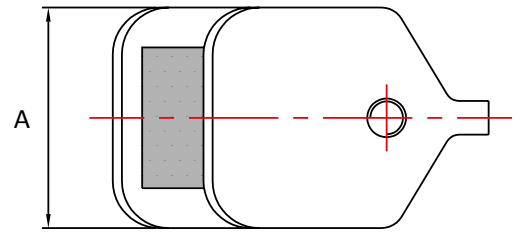
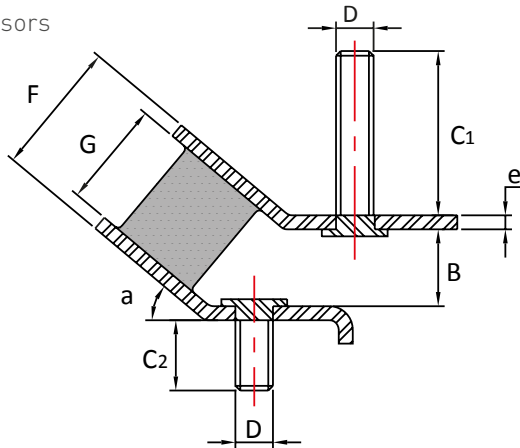
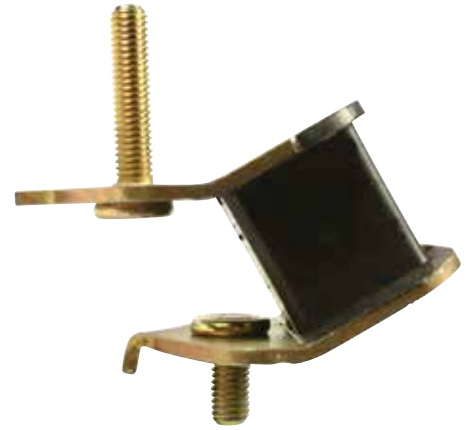


Angle Mountings

Angle Mountings are used in pairs – diametrically opposite to give a low roll frequency and hence improved vibration isolation whilst maintaining good stability of the equipment.

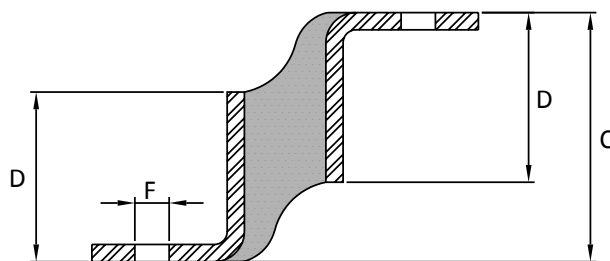
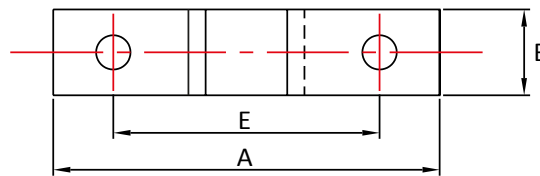
Applications:

- Portable Generators
- Compressors
- Pumps



Part No	A	B	D	C ₁	C ₂	e	a	F	G	45° Shore A		60° Shore A	
										Kg	mm	Kg	mm
AM47	47	17	M8	35	15	3	40°	29	23.0	5	5	15	5
AM54	54	19	M8	35	15	3	40°	37	31.0	40	9	90	9

L Shear Mountings



Part No	A	B	C	D	E	F	Max Load (kg)		
							40° Shore A	60° Shore A	70° Shore A
L20-2	90	20	58	40	62	8	12	27	39

Max compression load in Kg deflection in mm.

This information is for guidance only. Customers are recommended to contact us for further technical information on products and applications. We reserve the right to alter specifications or withdraw products without notice.