

# T-Bushes

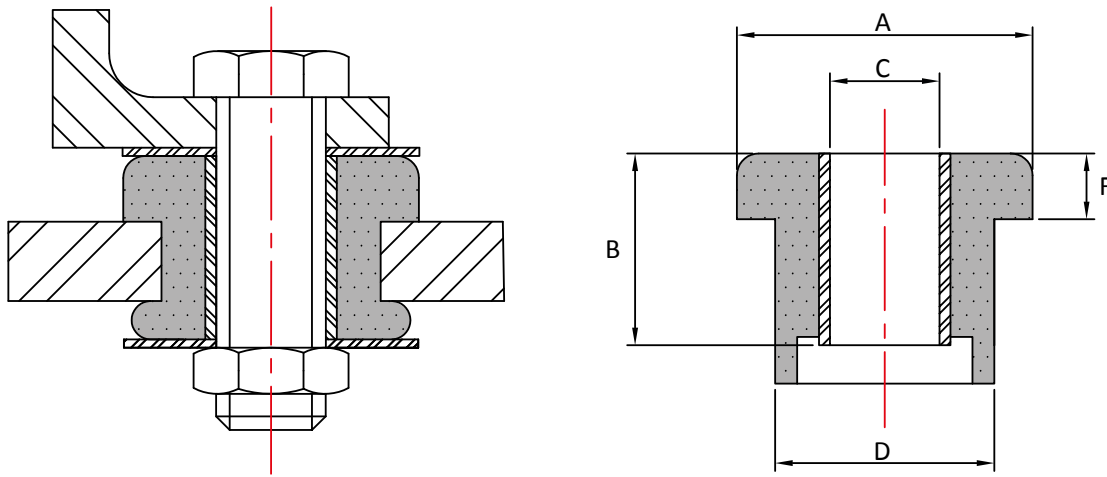


T-Bushes offer a low cost solution for isolating vibration, reducing structure borne noise, and absorbing shock forces for both mobile & static applications. Using Overload and Rebound washers provide a failsafe installation. The mountings also have the benefit of a low profile height.

## Applications:

- Fuel Tanks
- Radiators
- Pumps
- Industrial Equipment

## Installation



Part No	A	B	C	D	F	Kg	mm
TB25	27	17.5	10	20	6	50	0.7
TB12	31.8	27.2	10.2	24.1	14	50	1.4
TB45	43	25	13	31	10	100	1.2
TB50	49	35	13	34	13	200	1.6
TB60	63	30	16	41	15	250	2
TB65	63	44	16	41	15	250	2
TB75	75.5	50.8	16.3	50.3	20.6	340	2.16
TBCBA20	50.8	36.8	13.5	35.1	19.1	181	2.5
TBCBA24	59.7	38.1	16	38.1	17.5	295	2.5
TBCBA28	71.1	41.4	20	41.1	17.5	476	2.5
TBCBA33	83.8	49.3	20	41.1	22.4	725	3

Max compression load in Kg deflection in mm.

This information is for guidance only. Customers are recommended to contact us for further technical information on products and applications. We reserve the right to alter specifications or withdraw products without notice.