

# Turret Mountings



Turret mountings are designed primarily for the HVAC industry, they are a low cost design, ideal for static applications. The rubber completely encapsulates the metal parts to avoid corrosion problems.

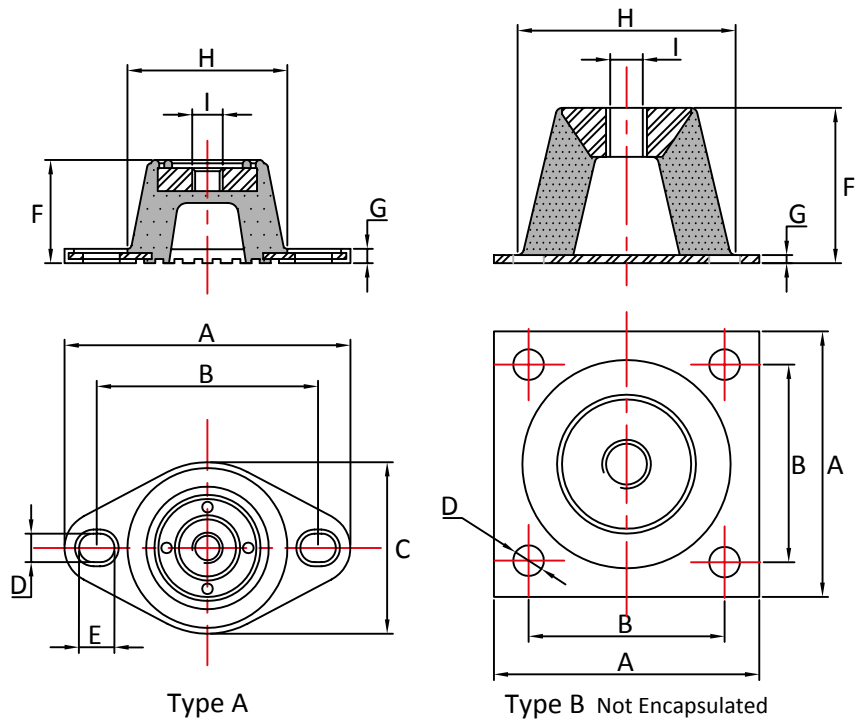
They give relatively high levels of deflection, allowing for good levels of vibration reduction to be achieved, even at low running speeds.

## Advantages:

- Encapsulated Metals
- High Deflection
- Low Cost
- Easy to Install

## Applications:

- HVAC
- Fans
- Pumps
- Compressors



Part No	Type	A mm	B mm	C mm	D mm	E mm	F mm	G mm	H mm	I mm
TM229	A	62	49.2	38	4.8	4.8	29.5	5.5	35.3	M8
TMS	A	80	54-60	45	9	12	32	5	41	M8
TMM	A	95	67-76	60	9	14	45	5	56	M10
TML	A	150	105-126	86	11	22.5	70	6	82	M12
TMC6535	B	65	48	-	7.5	-	36	2	51	M10

Part No	Max Load (Kg)	Max Deflection (mm)	Hardness Shore A	Colour Code
TM229-40	5	2.7	40	PURPLE
TM229-50	10	2.5	50	GREEN
TM229-60	15	2.0	60	YELLOW
TMS08035-45	35	8.0	45	YELLOW
TMS08065-55	65	8.0	55	BLUE
TMS08100-65	100	8.0	65	RED
TMM10130-45	130	10.0	45	YELLOW
TMM10225-55	225	10.0	55	BLUE
TMM10350-65	350	10.0	65	RED
TML10185-45	185	10.0	45	YELLOW
TML10320-55	320	10.0	55	BLUE
TML10500-65	500	10.0	65	RED
TMC6535-45	45	5.6	45	WHITE
TMC6535-55	75	5.9	55	RED
TMC6535-65	115	5.0	65	BLACK

Max compression load in Kg deflection in mm.

This information is for guidance only. Customers are recommended to contact us for further technical information on products and applications. We reserve the right to alter specifications or withdraw products without notice.