

# Capped Flanged Mountings



Flanged Mountings give high levels of deflection, providing excellent levels of vibration reduction and shock absorption both in the vertical and horizontal planes. They are particularly suited to isolating slow speed equipment.

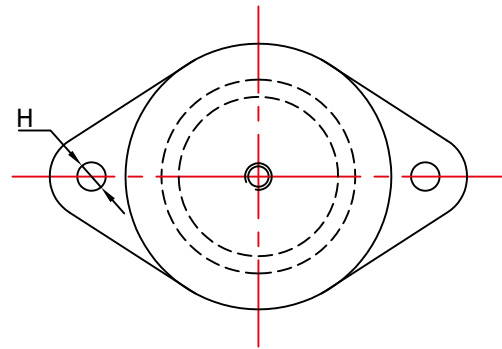
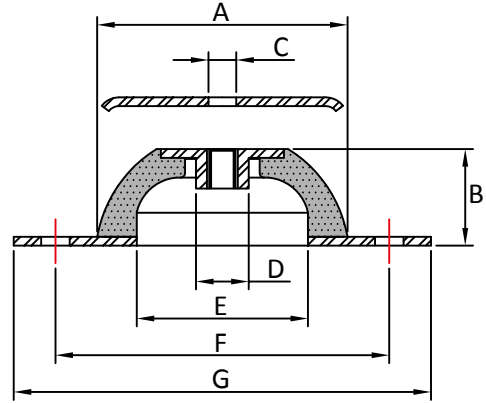
The mountings are supplied with a metal top cap to ensure the load is evenly spread on the rubber surface and also provides splash protection against fuel and oils.

## Advantages:

- Ideal for Lightweight Equipment
- Easy to Install
- Low Cost
- Vibration Isolation up to 95%

## Applications:

- Pumps
- Fans
- Compressors



Part No	A	B	C	D	E	F	G	H
FM4020	40	20	M6	19	29	52	64	6.2
FM6024	60	24	M6	14	34	76	90	6.2
FM8027	80	27	M8	25	65	100	120	8.2
FM10028	100	28	M10	22	70	124	148	10.0
FM15039	150	39	M14	34	115	182	214	12.0
FM20044	200	44	M18	35	140	240	280	15

Part No	45 Shore		60 Shore		75 Shore	
	kg	mm	kg	mm	kg	mm
FM4020	4	2	10	2.5	17	2.5
FM6024	15	3	25	3	45	3
FM8027	75	7	110	6	150	4
FM10028	90	4	160	4	220	4
FM15039	130	7	250	7	350	6
FM20044	500	7	825	7	1250	6

Max compression load in Kg deflection in mm.

This information is for guidance only. Customers are recommended to contact us for further technical information on products and applications. We reserve the right to alter specifications or withdraw products without notice.