

Plate and Pedestal Mountings

Plate & Pedestal mountings are ideal for lightweight equipment due to their low stiffness. They are available as either a "Plate Mounting" or "Pedestal Mounting" option, and can be made failsafe by fitting top and bottom washers.



Applications:

- Control Panels
- Sensitive Instruments
- Radiators
- Marine Equipment
- Fans
- Blowers

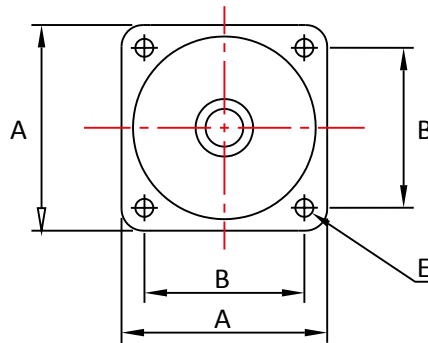
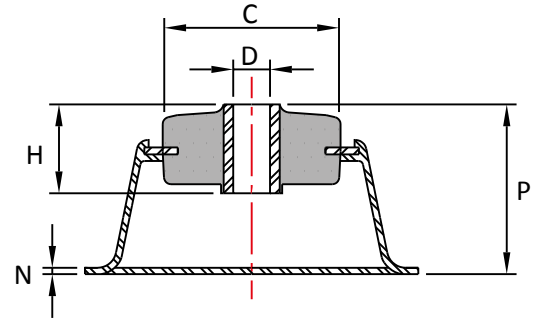
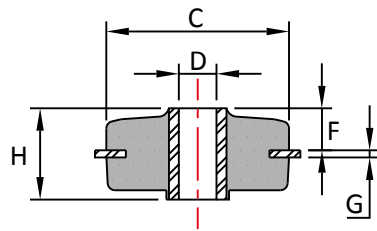
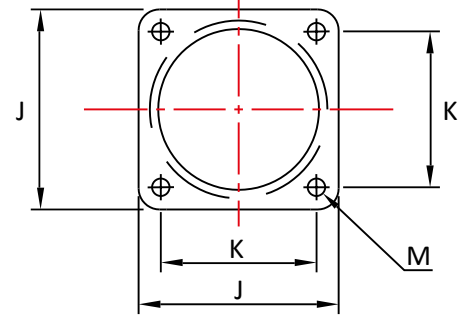


Plate Mount



Pedestal Mount

Part No	A	B	C	D	E	F	G	H	J	K	M	N	P
PL1800	31.75	25.4	25.4	4.20	3.60	6.70	0.80	10.3	-	-	-	-	-
PL1801	44.5	34.9	38.1	6.5	4.2	8.9	1.3	15.9	-	-	-	-	-
PL1802	57.2	44.5	50.8	9.9	5.0	13.5	1.5	25.4	-	-	-	-	-

PE1803	-	-	25.4	4.20	-	-	-	10.3	42.9	34.9	3.60	0.60	19.8
PE1804	-	-	38.1	6.5	-	-	-	15.9	60.3	49.2	5.0	0.8	28.6
PE1805	-	-	50.8	9.9	-	-	-	25.4	76.0	63.5	6.5	0.94	39.7

Part No		Maximum Load (kg)	Deflection (mm) at Maximum Load
Plate	Pedestal		
PL1800-45	PE1803-45	0.91	1.6
PL1800-60	PE1803-60	1.8	1.6
PL1801-45	PE1804-45	2.7	2.5
PL1801-60	PE1804-60	5.4	2.5
PL1801-70	PE1804-70	8.2	2.5
PL1802-45	PE1805-45	14	3
PL1802-60	PE1805-60	23	3
PL1802-70	PE1805-70	40	3

Max compression load in Kg deflection in mm.

This information is for guidance only. Customers are recommended to contact us for further technical information on products and applications. We reserve the right to alter specifications or withdraw products without notice.